

PDCR 2200 SERIES

350 Ohm Bridge Pressure Transducer

- **350Ω bridge**
- **Low thermal effects**
- **High accuracy**
- **Compatible with hostile fluids**
- **Choice of electrical & pressure connections**
- **OEM versions available**



The PDCR 2200 Series has been developed to give a modern state of the art replacement for the metal foil, 350Ω bridge transducers.

These transducers utilize “heavy doped” silicon technology which brings together the advantages of silicon micromachined diaphragms and the low thermal effects achievable by predominately resistive bridge technology.

An all welded construction of 316L stainless steel with Hastelloy C276 isolation diaphragm ensures excellent media compatibility and rugged construction for a wide range of industrial applications.

A variety of pressure fittings and electrical connections are offered to allow tailoring of the transducer to specific requirements.

Especially customized versions are available with mechanical and electrical characteristics modified to meet specific requirements.

Typical applications include, engine test, gas flow computers, hydraulic and pneumatic control systems.

STANDARD SPECIFICATION

Operating Pressure Ranges

10, 15, 25, 30, 50, 100, 150, 200, 250, 500, 1000 & 1500 psi gauge or absolute.

Other pressure units can be specified e.g. kPa, mH_2O , bar.

Overpressure

The rated pressure can be exceeded by the following multiples causing negligible calibration change.

10 psi to 1500 psi : 4x range up to 2000 psi maximum.

Pressure Containment

To 1500 psi gauge : 6x range up to 3000 psi maximum.

Pressure Media

Fluids compatible with stainless steel 316L and Hastelloy C276.

Alternative materials are also available.

Excitation Voltage

10 volts d.c.
Output ratiometric

Output Voltage

30 mV at 10 V excitation.
Output impedance 350Ω nominally.

Common Mode Voltage

$\frac{V_{supply}}{2} \pm 0.5\%$ supply

Resolution

Infinite.

Combined Non-linearity, Hysteresis and Repeatability

± 0.1% B.S.L. for all ranges

Zero Offset and Span Setting

± 3% F.S.

Long Term Stability

< 0.1% per year.

Operating Temperature Range

-65° to +255°F.

Temperature Effects

± 0.5% F.S. total error band -5° to +175°F
± 1.0% F.S. total error band -65° to +255°F
Higher temperature ranges available.

Improved Performance

Transducers with improved accuracy for special applications can be supplied.
For more detailed information, refer to manufacturer.

Weight

4.5 oz. nominal.

Electrical Connection

3 ft. 4 core shielded cable or MIL connector.
See ordering information and installation drawing for details.

Pressure Connection

1/4 N.P.T., male or female
7/16" - 20 U.N.J.F. to MS33656-4.
Others available on request.

ORDERING INFORMATION

Please state the following:

(1) Type number

PDCR 22 X X

1	-5° to +175°F
2	-65° to +255°F
1	Integral cable assembly (IP63)
2	Teflon cable assembly
3	Submersible cable assembly
6	MIL-C 26482 6 pin bayonet

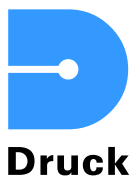
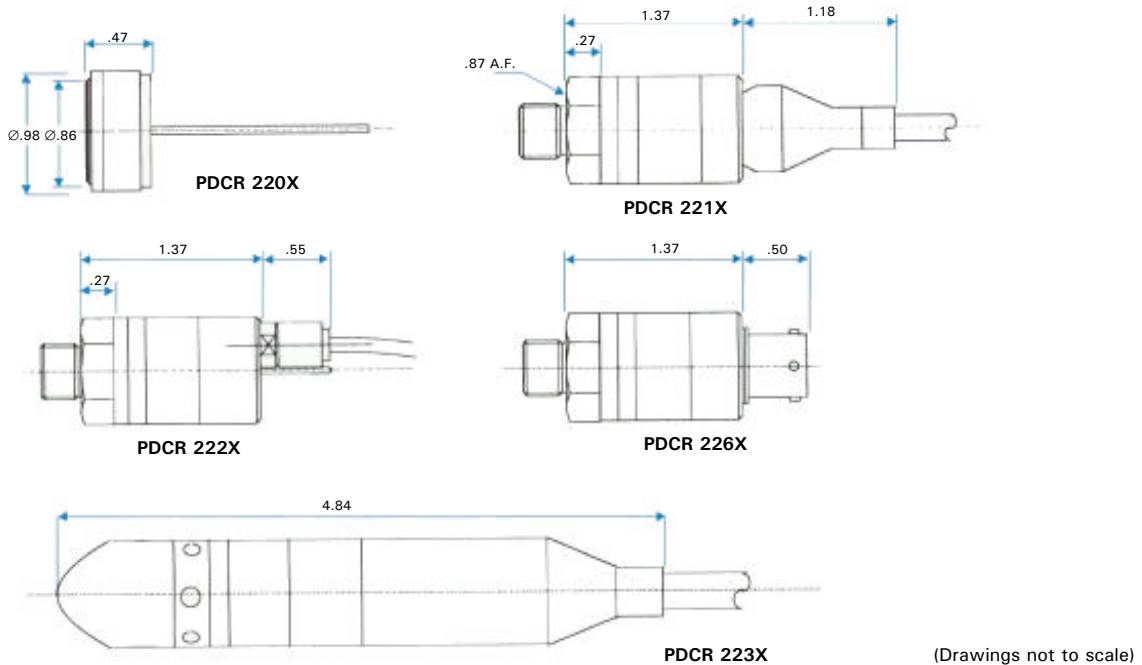
(2) Pressure range (gauge or absolute)

(3) Pressure connection.

Note : PDCR 22X2 only available with electrical connection options 0, 2 & 6.

Continuing development sometimes necessitates specification changes without notice.

INSTALLATION DRAWINGS Dimensions: inches



Druck Incorporated
4 Dunham Drive
New Fairfield, CT 06812
Tel: (203)-746-0400
Fax: (203)-746-2494
E-Mail: usa.sales@druck.com
http://www.druckinc.com

Representative :

PDCR 2200 - 8/96