

## Description

The AEF-301 is a state of the art AC/DC powered automatic faucet for today's restroom environment. The AEF-301 is built from high quality solid brass and comes in a variation of finishes including chrome, polished brass, and nickel. The AEF-301's solenoid is placed outside of the highly advanced control box for easy installation and maintenance. The AEF-301 may be powered by one or two 6 volt lithium batteries or alternatively be powered by an optional AC power plug-in adapter. The unique faucet system also allows the batteries to be a backup to AC power failure.



## Features

- Hands Free Infrared Sensor Activation
- AC/DC Capability (AC Adapter is Optional and Sold Separately)
- DC Power Backup to AC Power Failure (When AC Power Adapter is Being Used)
- Metal Conduit Protection for Sensor Cable
- Removable Filtering System (Easily Cleaned)
- Uses One or Two 6-Volt Lithium Batteries (One 2CR5 Battery Included)
- UP TO 400,000 CYCLES ON TWO BATTERIES**
- Easy Battery Replacement - No Water Shut Off Necessary
- Chrome Plated Solid Brass Spout (Standard)
- 1 Hole or 3 Hole Mounting
- 4" Base for Secure Mounting
- 1/2 Second Activation Time
- 2 Second Shut Off Delay Time
- Adjustable Digital Sensing Range: 2" (55) - 6" (150mm)
- Automatic Water Flow Shut-Off: 50 Seconds
- Operating Water Pressure: 10-114 P.S.I.
- Easy Installation
- ADA Compliant

## Variations

- ◇ AEF-301B Automatic Faucet in Polished Brass
- ◇ AEF-301N Automatic Faucet in Nickel

## Accessories

- ◇ TMV- Thermostatic Hot/Cold Water Mixing Valve
- ◇ AC Power Adapter (UL Approved)
- ◇ Water Supply Connectors

## ADA Compliant

## Warranty

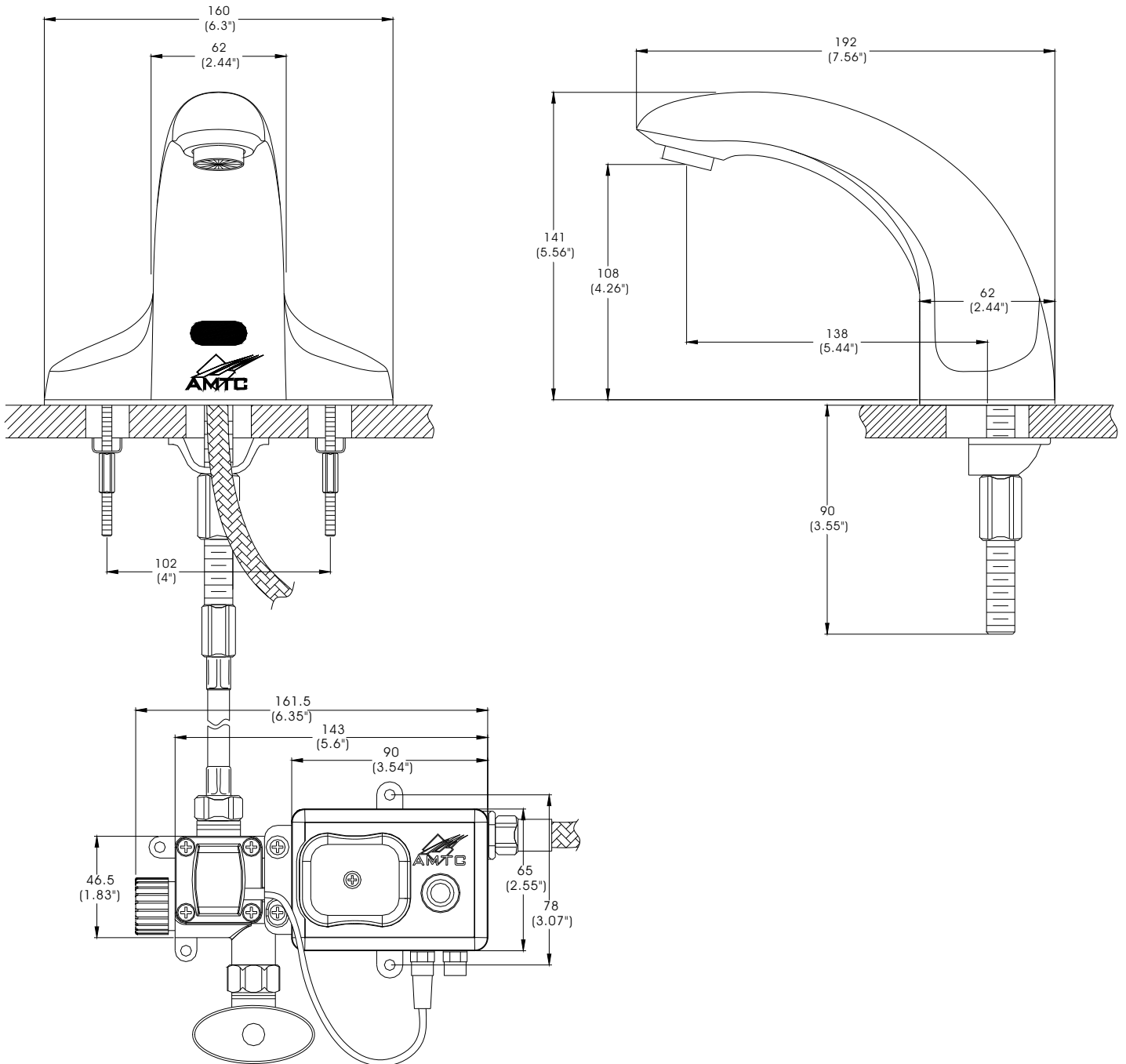
3 Years

<b>Architect/Engineer Approval</b>	
Job Name	_____
Date	_____
Quantity	_____
Variations Specified	_____
Customer/Wholesaler	_____
Contractor	_____
Architect	_____



# AEF-301 AUTOMATIC FAUCET

## Dimensions:



## Advanced Modern Technologies Corporation

3451 South Main Street, Los Angeles, CA 90007

Tel: (323) 232-6688 Toll Free: (800) 874-7822 Fax: (323) 232-8318

[www.amtcorporation.com](http://www.amtcorporation.com)