

# SIEMENS



## **Cerberus® DT1152** **Heat detector, interactive**

Technical description

**Fire & Security Products**

Siemens Building Technologies Group

Data and design subject to change without notice. / Supply subject to availability.

© Copyright by  
Siemens Building Technologies AG

Wir behalten uns alle Rechte an diesem Dokument und an dem in ihm dargestellten Gegenstand vor. Der Empfänger anerkennt diese Rechte und wird dieses Dokument nicht ohne unsere vorgängige schriftliche Ermächtigung ganz oder teilweise Dritten zugänglich machen oder ausserhalb des Zweckes verwenden, zu dem es ihm übergeben worden ist.

We reserve all rights in this document and in the subject thereof. By acceptance of the document the recipient acknowledges these rights and undertakes not to publish the document nor the subject thereof in full or in part, nor to make them available to any third party without our prior express written authorization, nor to use it for any purpose other than for which it was delivered to him.

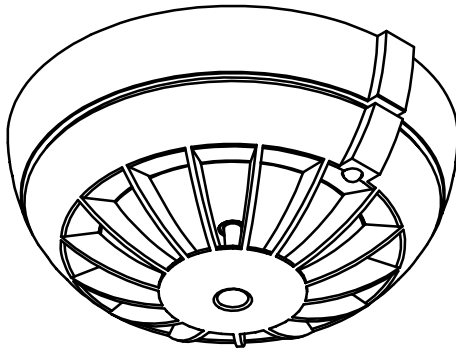
Nous nous réservons tous les droits sur ce document, ainsi que sur l'objet y figurant. La partie recevant ce document reconnaît ces droits et elle s'engage à ne pas le rendre accessible à des tiers, même partiellement, sans notre autorisation écrite préalable et à ne pas l'employer à des fins autres que celles pour lesquelles il lui a été remis.

Ci riserviamo ogni diritto relativo al presente documento e sull'oggetto illustrato in esso. La parte che riceve il documento si impegna a non renderlo accessibile a terzi, né per intero né in parte, senza la nostra previa autorizzazione scritta ed a non usarlo per altri scopi di quello per il quale è stato rilasciato.

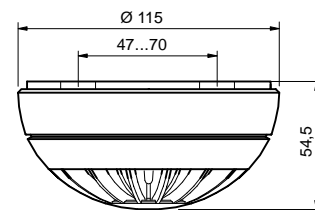
<b>1</b>	<b>Brief overview</b> .....	<b>1</b>
1.1	Characteristics .....	1
1.2	Design .....	2
<b>2</b>	<b>Technical data</b> .....	<b>3</b>
<b>3</b>	<b>Design</b> .....	<b>4</b>
<b>4</b>	<b>Operating principle (see block diagram Fig. 2)</b> .....	<b>5</b>
<b>5</b>	<b>Self-test / Operating mode</b> .....	<b>6</b>
<b>6</b>	<b>Emergency operation</b> .....	<b>6</b>
<b>7</b>	<b>Line disconnection function</b> .....	<b>6</b>
<b>8</b>	<b>Detector response behaviour</b> .....	<b>7</b>
<b>9</b>	<b>Application</b> .....	<b>7</b>
9.1	Compatibility .....	7
9.2	Application .....	7
9.3	Adjustment functions / selection of parameter sets .....	7
9.4	Wiring .....	8
<b>10</b>	<b>Commissioning</b> .....	<b>8</b>
<b>11</b>	<b>Maintenance</b> .....	<b>9</b>
11.1	Diagnosis capability .....	9
11.2	Performance check / Servicing .....	9
<b>12</b>	<b>Terms</b> .....	<b>10</b>



# 1 Brief overview



## Dimensions



incl. base DB1151

## 1.1 Characteristics

- **Wide application range by means of 4 temperature response categories which can be freely programmed by the control unit**
- **Response behaviour immune to deceptive phenomena with rapid and slow increase in temperature by means of:**
  - marked differential characteristics for rapid changes in temperature
  - maximum activating temperature for slow increases in temperature
- **High degree of reliability, long-term stability and high degree of electromagnetic compatibility (EMC) through protected signal lines, shielded circuits and monitored sensor electronics**
- **High degree of resistance to humidity and corrosion**
- **Transmission of 4 danger levels and operating modes**
- **Automatic comprehensive self-test**

## 1.2 Design

The ThermoRex DT1152 is built into a modern, elegant, impact-proof plastic housing which blends unobtrusively in any room. It is inserted in the interactive base DB1151 and held in position with a vibration-proof twist lock. Apart from the identification module, which determines location during commissioning, the base has no electronics.

The detector contains a response indicator (red LED), which provides on-the-spot alarm indication. The response indicator can be activated from the control unit for servicing purposes and also programmed for the indication of servicing data. Each detector has an output for the connection of an external response indicator. In terms of default, it is allocated to the detector connected, but it is programmable and can also be allocated to any detector within the building.

The detector is fully electronic and is not subject to wear and tear. The electronic circuit is shielded to protect it against environmental influences and has a specially developed circuit board coating. The protective cover can be easily removed for the periodic factory overhaul.

The DB1151 detector base is mounted on the ceiling direct on the recess box, or surface-mounted together with the DBZ1191 base attachment and connected to the control unit via twin wire. The base has spring terminals for connection.

Detector extractor DZ1191 and detector tester RE6T enable efficient insertion, removal and testing of detectors. By means of extension tubes this work can be carried out up to a height of 7 metres without additional tools. A range of base accessories is available for installation in wet areas, and for protection against theft etc.

## 2 Technical data

Normal ambient conditions unless otherwise mentioned:  
 Temperature  $T_a$  = 25°C (298K)

Parameters	Symbol	Value			Conditions	
		Unit	min.	typ.		max.
Operating voltage	$U_b$	V	21.2		33.3	modulated
Operating current (quiescent cond.)	$I_b$	$\mu$ A		250	300	
Baud rate		kBd		4.8		
Self test interval				15min.		
Response indicator: Flashing interval times: bright dark		ms s		20 1.5		depending on control unit
Response indicator current		mA		15		
Set of parameter <b>APS100T</b> (default) EN 54-5 class A1R temperature increase $dT/dt = 10K/min.$ max. release temperature	$dT$ $T_a$	$^{\circ}C$ $^{\circ}C$	20 54		40 62	
Set of parameter <b>APS105T</b> EN 54-5 class BR temperature increase $dT/dt = 10K/min.$ max. release temperature	$dT$ $T_a$	$^{\circ}C$ $^{\circ}C$	20 74		40 85	
Set of parameter <b>APS103T</b> EN 54-5 class A1S max. release temperature	$T_a$	$^{\circ}C$	54		62	
Set of parameter <b>APS107T</b> EN 54-5 class BS max. release temperature	$T_a$	$^{\circ}C$	74		85	
Elektromagnetic compatibility		V/m	50			1MHz...1GHz
Operating temperature according to set of parameters: EN 54-5 class A1R, A1S (APS100, APS103) EN 54-5 class BR, BS (APS105, APS107)	$T_a$ $T_a$	$^{\circ}C$ $^{\circ}C$	-25 -25		+50 +70	
Humidity $\leq 34^{\circ}C$ $> 34^{\circ}C$					$\leq 100\%$ rel. $\leq 35g/m^3$	
Storage temperature (continuous)	$T_l$	$^{\circ}C$	-30		+75	
Connection factor	IMK			1		

Colour: white ~RAL9010

### Classification

Standards EN 54-5  
 Application category IEC 721-3: 3K8H  
 Test category IEC 68-1: 25/050/42 (EN54-5)  
 25/070/42 (EN54-5)  
 Protection category EN60529 / IEC529: IP44

### Immune to environmental influences

- Easy servicing
- Easy to dismantle and separate
- Halogen-free plastic material identifiable through embossed code

### 3 Design

The temperature sensor of the ThermoRex DT1152 consists of two precision NTC thermistors, which are attached to a holder. The measuring resistance  $R_m$  is located in the tip of the protective cover and measures the ambient temperature. The housing temperature is measured with resistor  $R_g$  for precise differential evaluation.

The open protective housing means that the ambient temperature has an almost unhindered effect on the sensor and protects it against mechanical damage.

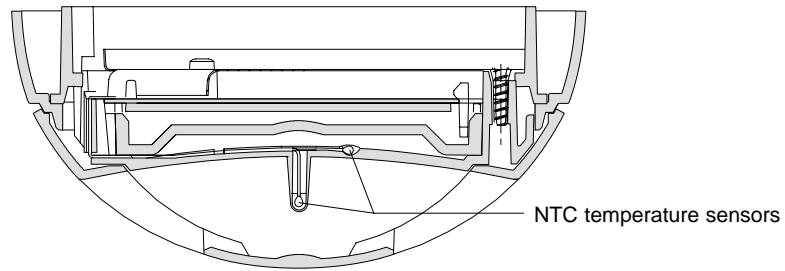


Fig. 1 Detector design



## 4 Operating principle (see block diagram Fig. 2)

The DT1152 ThermoRex measures the ambient temperature and the temperature in the detector housing with two separate NTC thermistors. The two sensors can differentially and precisely evaluate the rapid increase in temperature irrespective of the starting temperature and signal the corresponding levels of danger to the control unit. If the temperature increases slowly, the corresponding danger levels are activated as the maximum level is approached and where the maximum level is fixed, the highest danger level is activated. Signals are processed by the detector electronics and decisions are taken on danger levels 0-3 which are then transmitted to the control unit.

The microprocessor ( $\mu$ P) **1** controls the various measuring and test sequences, handles data processing and classifies events in the various danger levels and operating modes. Communication with the control unit is also controlled by the  $\mu$ P. A large number of detector characteristics are entered in the non-volatile  $\mu$ P memory (255 byte EEPROM). These can be read and changed by authorized personnel at any time. The contents of the non-volatile memory is automatically monitored approx. every 15 minutes.

The measuring thermistor **4** in the tip of the sensor and the thermistor **5** inside the housing are activated by the combination of circuits **6** / **7** / **8**. Circuit **6** generates the bias voltage for the two thermistors and is controlled and monitored by the  $\mu$ P. Signals from the two temperature sensors are transmitted via filters **7** and **8** to the A/D converter **3**. The filters reduce electromagnetic influence (EMI) and protect the circuit from electrostatic discharge (ESD).

Various electronic circuits such as comparators, oscillators etc. are built into the integrated circuit designed for specific applications **2** (ASIC). The  $\mu$ P communicates with the control unit via the line interface **9** and the twin-wire bus. By means of the data interface **10** the detector receives commands which activate operating modes, stages of diagnosis. The detector transmits response signals, the results of diagnosis polling and status signals back to the control unit.

In order that the entire bus does not malfunction in the event of a short circuit, the DT1152 has two electronic switches (FET) **14** built in as line disconnectors, which «isolate» a sector which is malfunctioning until the short circuit has been eliminated.

The drive unit **11** for the response indicators can set the built-in AI **12** and an external AI **13** (activated from the control unit) flashing.

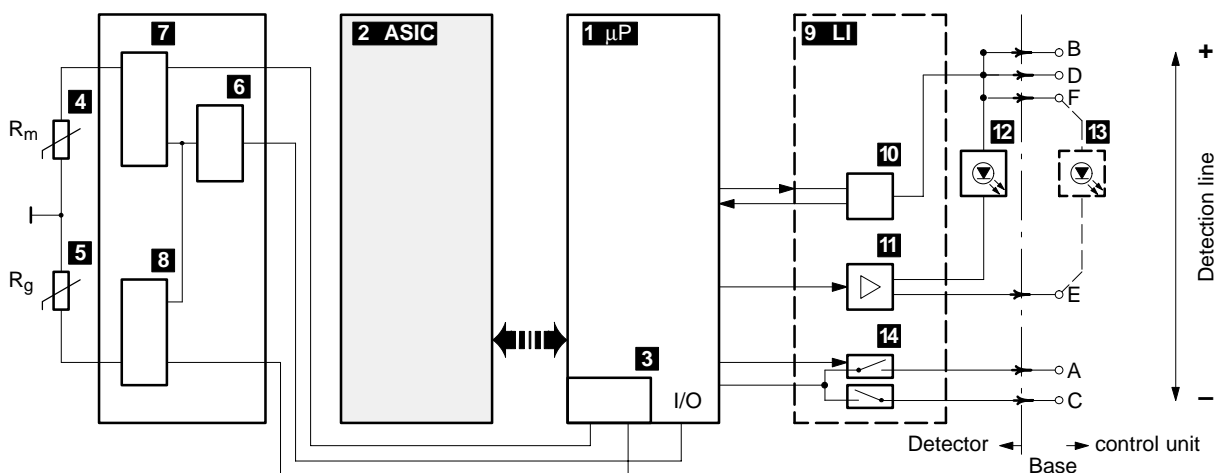


Fig. 2 Block diagram DT1152

## 5 Self-test / Operating mode

Periodically, or upon command from the control unit a comprehensive detector self-test is activated which checks the two thermistors and the EEPROM.

The line voltage and bias voltage for the thermistors etc. are also periodically checked. If the detector signals a change of status, the precise cause can be read from the detector memory by the control unit.

«**Function state 0**» corresponds to «Normal state».  
In the «Normal state» the detector is fully functional.

«**Function state 1**» corresponds to «Notices».  
«Notices» draw attention to certain irregularities, for example, application errors, but these do not influence the correct functioning of the system.

«**Function state 2**» corresponds to «Impairment».  
«Impairments» are not accurately quantifiable deviations of the system (for example, compensation value too high). The reasons leading to the response of the detector must be taken seriously.

«**Function state 3**» corresponds to «Fault».  
A «Fault» is an impairment of such a serious nature that the response of the detector can no longer be taken to signal a real event but the fault must be immediately remedied.

## 6 Emergency operation

If the ThermoRex DT1152 e.g. as a result of a  $\mu$ P malfunction in the control unit, is no longer periodically polled at its address, it automatically switches to emergency operation. In the event of fire this detector also activates a collective alarm signal.

## 7 Line disconnection function

If a short circuit occurs on the detector bus, disconnecter detectors ensure that not the entire bus breaks down, rather only the defective part of a line is isolated. The ThermoRex DT1152 is equipped with an «electronic switch» (FET) in the bus before and after the detector. This switches open automatically in the event of a short circuit and disconnect the defective section of the line.

A loop line ensures optimum security.

# 8 Detector response behaviour

The ThermoRex DT1152 is equipped with efficient algorithms for processing the temperature evaluation. To signal a danger level the detector does not simply respond to a reading above a «response threshold», but rather tracks the progress of temperature over a longer period of time and evaluates it with appropriate algorithms.

The software parameters determine the response behavior of the detector. They are selected according to the conditions at the installation site.

# 9 Application

## 9.1 Compatibility

Fire detection system: S11 AlgoRex  
Control unit: CC11  
Base: DB1151

## 9.2 Application

The ThermoRex DT1152 is particularly suitable for the monitoring of rooms and installations in which, in the event of an outbreak of fire, a rapid increase in temperature is to be expected, or other types of fire detector cannot be used because work processes cause smoke, dust, exhaust gases etc.

## 9.3 Adjustment functions / selection of parameter sets

The detector itself cannot be adjusted mechanically. All changes of function are remote controlled from the control unit. The detector is delivered ex works with a basic parameter set. This ensures that each detector is fully functional when it is installed. The additional parameter sets can be programmed in the field with the maintenance unit via the control unit.

### DT1152

Parameter set	Characteristics of the detector	Application range
<b>APS100T</b> (default)	Rate-of-rise characteristics	Detecting of temperature increases with additional maximum temperature actuation at 60°C
<b>APS103T</b>	Maximum temperature actuation	Alarm actuation only upon exceeding the maximum temperature of 60°C
<b>APS105T</b>	Rate-of-rise characteristics	Detecting of temperature increases with additional maximum temperature actuation at 80°C
<b>APS107T</b>	Maximum temperature actuation	Alarm actuation only upon exceeding the maximum temperature of 80°C

## 9.4 Wiring

The installation is executed with **twisted** wire pairs from base to base. Loop and stub lines as well as T-branches are admissible.

Up to 100 ThermoRex DT115. detectors may be connected to a D-Bus K1151 (E3M070).

Up to 128 ThermoRex DT115.A detectors may be connected to a D-Bus K1151A (E3M071).

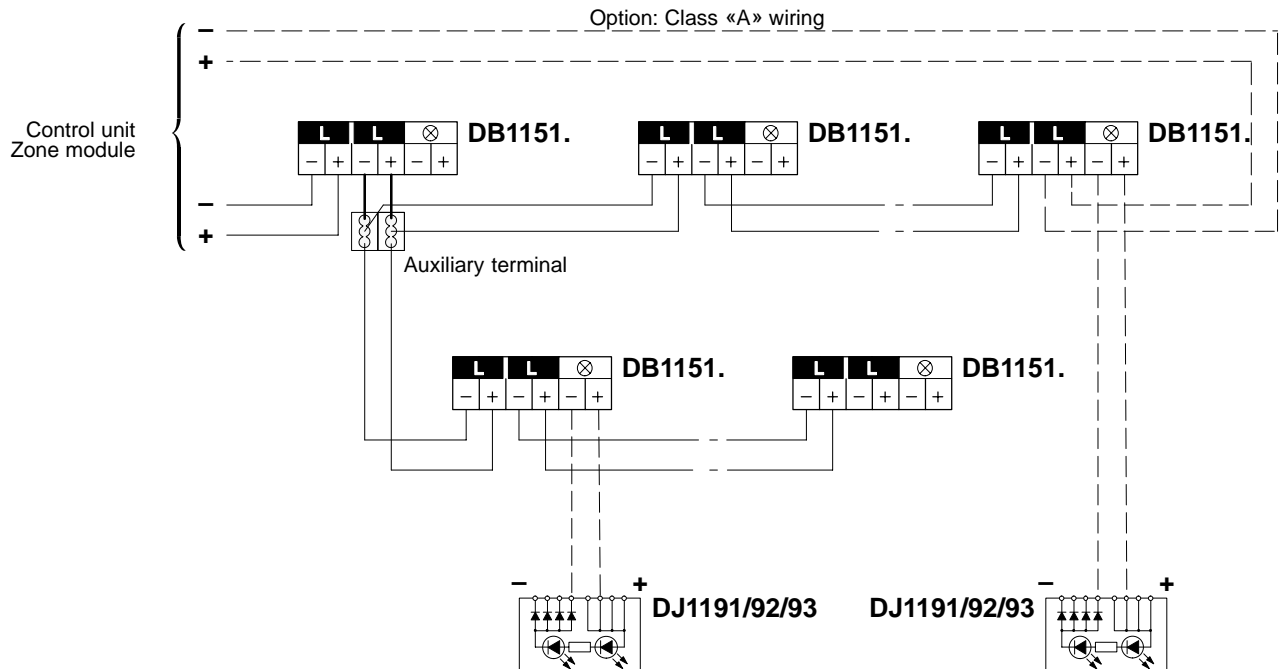


Fig. 3 Connection diagram

## 10 Commissioning

In order to avoid soiling detectors unnecessarily, they should only be inserted in their bases immediately prior to commissioning.

Each ThermoRex DT1152 is connected in parallel to a twin-wire detector bus. Addresses for individual detectors are allocated by the sequence in which they are inserted, testing with the detector tester, or by entering the individual detector identification numbers.

By means of the identification module integrated in the base, once addressed detectors have been commissioned, it does not matter if they are mixed up. Thanks to this identification module, the control unit can automatically restore the correct allocation with the correctly set response category. Each base identification module is given its own unique and unchangeable serial number.

If different types of detector are mixed up a trouble signal is activated.

# 11 Maintenance

## 11.1 Diagnosis capability

One detector can transmit 4 events to the control unit:

- Danger level 0 (quiescent value)
- Danger level 1 (possible danger)
- Danger level 2 (probable danger)
- Danger level 3 (very probable danger)

### Danger level 1

To provide early warning in locations which are difficult for intervention, the number of times danger level 1 is exceeded is counted by the control unit. Upon reaching a pre-programmed level, the message «Application warning» is given.

These messages are entered in the basic parameterization of the control unit in the event memory.

### Danger level 2

If danger level 2 is reached, the basic parameterization of the control unit activates a «Warning» message.

This message is also entered in the basic parameterization of the control unit in the event memory.

### Danger level 3

Normally, danger level 3 results in immediate alarm activation.

Cross or multiple detection is possible by programming the control unit accordingly.

## 11.2 Performance check / Servicing

By means of the detector self-test, the DT1152s are automatically subjected to a thorough electrical performance check. In spite of this it is necessary to carry out an on-site physical performance check on all detectors at regular intervals.

**Recommendation:** A visual check of the detectors must be performed periodically (usually **at least every 3 years** or according to the recommendations of the local authorities). Detectors that are strongly soiled or which are mechanically damaged must be replaced.

DT1152 are not overhauled at the factory.

A physical functional check of the detectors can be performed by means of a suitable testing device (e.g.RE6T).

**Recommendation: Every 6 years.**

If mechanically damaged detectors must be scrapped, the plastic materials can be sorted out based on the embossed code.

# 12 Terms

<b>AlgoLogic</b>	Protected trade-mark (Algorithm + Logic)
<b>AlogRex</b>	Interactive fire detection system with AlgoLogic
<b>Algorithm</b>	Special calculation method in the detector processor for optimizing the smoke sensitivity, noise immunity and reliability
<b>APS</b>	Algo Parameter-Set
<b>ASIC</b>	Application Specific Integrated Circuit
<b>CC11</b>	Fire detection control unit AlgoControl to fire detection system S11
<b>DB1151</b>	Base for interactive DS11 fire detectors
<b>DBZ1191</b>	Base attachment
<b>DJ1191/92/93</b>	External response indicators
<b>DT1152</b>	ThermoRex heat detector
<b>DZ1191</b>	Detector extractor
<b>EEPROM</b>	Electrical Erasable Programmable Read Only Memory
<b>EMC</b>	Elektro Magnetic Compatibility
<b>EMI</b>	Elektro Magnetic Influence
<b>ESD</b>	Electro Static Discharge
<b>FET</b>	Field Effect Transistor
<b>LED</b>	Light Emitting Diode
<b>μP</b>	Microprocessor
<b>NTC-Thermistor</b>	Negative Temperature Coefficient Thermistor
<b>RE6T</b>	Detector tester for heat detectors
<b>R<sub>g</sub></b>	Measuring sensor for housing temperature
<b>R<sub>m</sub></b>	Measuring sensor for ambient temperature
<b>RI (Al..)</b>	Response indicator
<b>S11</b>	Generic term of fire detection system S11
<b>ThermoRex</b>	DT1152 heat detector



Siemens Building Technologies AG  
Alte Landstrasse 411  
CH-8708 Männedorf  
Tel. +41 1 - 922 61 11  
Fax +41 1 - 922 64 50  
[www.cerberus.ch](http://www.cerberus.ch)

